

**GENERAL NOTES:**

1. ALL FASTENERS SHALL BE IN ACCORDANCE WITH THESE DRAWINGS. SPECIFIED ANCHOR EMBED TO BASE MATERIAL SHALL BE BEYOND WALL FINISH OR STUCCO.
2. OPENINGS, BUCKING & BUCKING FASTENERS MUST BE PROPERLY DESIGNED & INSTALLED TO TRANSFER WIND LOADS TO THE STRUCTURE.
3. THESE NON-IMPACT RATED PRODUCT INSTALLATIONS ARE IN ACCORDANCE WITH AND MEET THE REQUIREMENTS OF THE FLORIDA BUILDING CODE (FBC).
4. ALL ANCHORS SECURING PRODUCT FRAMES TO PRESSURE TREATED BUCKS OR WOOD FRAMING SHALL BE CAPABLE OF RESISTING CORROSION CAUSED BY THE PRESSURE TREATING CHEMICALS IN THE WOOD.
5. MATERIALS, INCLUDING BUT NOT LIMITED TO STEEL SCREWS, THAT COME INTO CONTACT WITH OTHER DISSIMILAR MATERIALS SHALL MEET THE REQUIREMENTS OF FLORIDA BUILDING CODE CHAPTER 20.
6. TO THE BEST OF OUR KNOWLEDGE, THE PRODUCT SHOWN HEREIN IS CERTIFIED & QUALITY ASSURED BY A FLORIDA STATE APPROVED CERTIFICATION/QA ENTITY & SHALL BE LABELED IN ACCORDANCE WITH THE FBC AND THE FLORIDA DEPARTMENT OF BUSINESS & PROFESSIONAL REGULATION SPECIFICATIONS. PRODUCT ASSEMBLY IS NOT PART OF THIS DRAWING AND SHALL BE IN ACCORDANCE WITH THE MANUFACTURER'S QUALITY ASSURANCE SPECIFICATIONS & TESTING REPORTS.
7. CERTIFICATION OF THESE PRODUCT INSTALLATIONS SHALL BE CONSIDERED VOID IF ANY OF THE FOLLOWING APPLY: 1) PRODUCT IS INSTALLED WITHOUT A BUILDING PERMIT FROM THE APPLICABLE LOCAL BUILDING DEPARTMENT. 2) PRODUCT IS INSTALLED BY ANYONE OTHER THAN A LICENSED CONTRACTOR EXPERIENCED WITH INSTALLATIONS OF THIS TYPE OF PRODUCT. 3) IF CHANGES HAVE OCCURRED TO THE PRODUCT'S CERTIFICATION ENTITY'S CERTIFICATE THAT CAUSE THESE INSTALLATIONS TO BE INCORRECT OR INCONSISTENT WITH WHAT HAS BEEN TESTED.
8. THE LEAST DESIGN PRESSURE SPECIFIED EITHER IN THIS DRAWING OR IN THE PRODUCTS CERTIFICATION SHALL CONTROL FOR THE INSTALLED PRODUCT.
9. THESE DRAWINGS CERTIFY THE PRODUCT INSTALLATION ONLY. WATER PROOFING OF THE INSTALLED PRODUCT IS NOT PART OF THIS INSTALLATION CERTIFICATION. THAT RESPONSIBILITY SHALL BE THAT OF THE MANUFACTURER &/OR INSTALLER.

**INSTALLATION EVALUATION** IS BASED ON APPLICABLE ANCHOR STANDARDS AND/OR INFORMATION & RESULTS FROM APPLICABLE TEST REPORTS. THE FLORIDA BUILDING CODE VERSION CONSIDERED WITH THE EVALUATION WAS THAT IN FORCE AT THE TIME OF THE EVALUATION. IN THE EVENT OF CODE VERSION CHANGES/UPDATES OR IN THE EVENT THAT NEW OR ADDITIONAL TESTING IS COMPLETED ON THE REFERENCED PRODUCT, PRIOR TO STATING CODE COMPLIANCE WITH THE STATE, THE MANUFACTURER SHALL CONFIRM WITH THE INSTALLATION EVALUATION ENGINEER OF RECORD THAT THE INSTALLATIONS SPECIFIED HERE-IN ARE CURRENT WITH THE THEN CURRENT TESTING, CODE AND APPLICABLE STANDARDS.

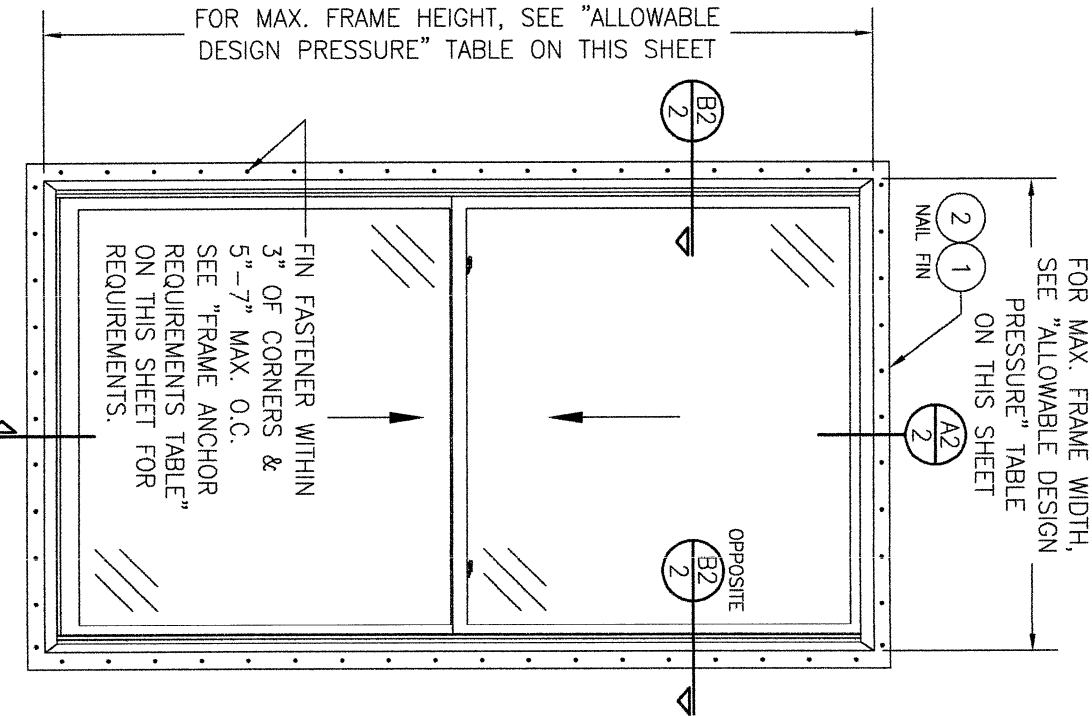
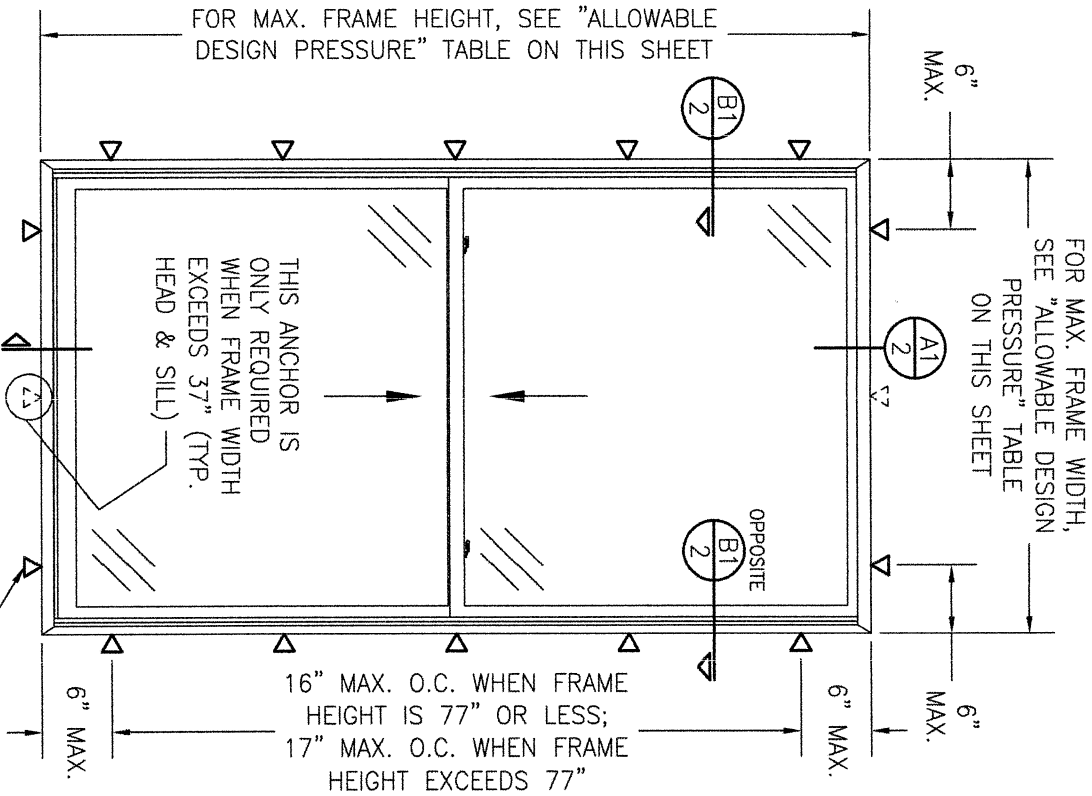
**ANCHOR/SUBSTRATE EVALUATION NOTE:**  
ALL ANCHORS IN THEIR SPECIFIED SUBSTRATES HAVE BEEN ANALYZED IN ACCORDANCE WITH THEIR APPLICABLE STANDARD(S) AND ARE FOUND TO BE CAPABLE OF SUPPORTING ALL LOADS IMPOSED ON THEM UNDER THE GUIDELINES OF THIS DOCUMENT. ANY SUBSTRATES OR CONDITIONS OUTSIDE OF WHAT IS SHOWN HERE-IN SHALL BE SUBJECT TO JOB SPECIFIC ENGINEER'S REVIEW & CERTIFICATION.

**INSTALLATION NOTE:**  
WHEN NECESSARY, INSTALLATION METHODS MAY BE MIXED WITH ANY ONE WINDOW SUCH THAT INDIVIDUAL SIDES OF THE WINDOW MAY USE ONE OR THE OTHER ANCHOR METHOD (EXAMPLE: SILL MAY USE FRAME SCREWS METHOD WHILE OTHER SIDES USE FIN)

**FRAME ANCHOR REQUIREMENTS TABLE**

OPENING TYPE (SUBSTRATE)	FRAME/CLIP/NAIL FIN TO OPENING FASTENER TYPE	MINIMUM EMBED	MINIMUM EDGE DIST.
FRAME SCREWS			
MIN. 2X4 WOOD FRAME OR BUCK (MIN. GR. 3 & G=0.55)	NO. 10 SMS OR WOOD SCREW	1 1/4"	3/4"
MIN. 18 GA. 33 KSI METAL STUD	NO. 10 GR. 5 SELF TAP/DRILL SCREW	FULL	1/2"
MIN. 1/8" THK A36 STEEL	NO. 10 GR. 5 SELF TAP/DRILL SCREW	FULL	1/2"
MIN. 1/8" THK 6063-T5 ALUM.	NO. 10 GR. 5 SELF TAP/DRILL SCREW	FULL	1/2"
C-90 CMU/2500 PSI CONCRETE	(1) 1/4" CONCRETE SCREW	1 1/4"	2"
(2) INSTALLATION CLIP SCREWS (BENT & 3-PIECE CLIPS)			
MIN. 2X4 WOOD FRAME OR BUCK (MIN. GR. 3 & G=0.55)	NO. 8 X 1 1/2" SMS	1 3/8"	(2) N/A
MIN. 1/8" THK A36 STEEL	NO. 8 GR. 5 SELF TAP/DRILL SCREW	FULL	(2) N/A
MIN. 1/8" THK 6063-T5 ALUM.	NO. 8 GR. 5 SELF TAP/DRILL SCREW	FULL	(2) N/A
INSTALLATION CLIP SCREWS (STRAIGHT CLIPS)			
MIN. 2X6 WOOD FRAME OR BUCK (MIN. GR. 3 & G=0.55)	NO. 8 X 1 1/2" SMS	1 3/8"	3/4"
MIN. 18 GA. 33 KSI METAL STUD	NO. 8 GR. 5 SELF TAP/DRILL SCREW	FULL	1/2"
MIN. 1/8" THK A36 STEEL	NO. 8 GR. 5 SELF TAP/DRILL SCREW	FULL	1/2"
MIN. 1/8" THK 6063-T5 ALUM.	NO. 8 GR. 5 SELF TAP/DRILL SCREW	FULL	1/2"
(3) NAILING FIN FASTENERS			
MIN. 2X4 WOOD FRAME OR BUCK (MIN. GR. 3 & G=0.55)	NO. 8 X 1 1/2" SMS	1 3/8"	1/2"
MIN. 2X4 WOOD FRAME OR BUCK (MIN. GR. 3 & G=0.55)	11 GA. ROOFING NAIL	1 3/8"	1/2"
MIN. 1/8" THK A36 STEEL	NO. 8 GR. 5 SELF TAP/DRILL SCREW	FULL	1/2"
MIN. 1/8" THK 6063-T5 ALUM.	NO. 8 GR. 5 SELF TAP/DRILL SCREW	FULL	1/2"

- (1) CONCRETE SCREWS SHALL BE ELCO ULTRACONS (C.S.), ELCO CRETE-FLEX (S.S.), ITW RAMSET/RED HEAD TAPCONS (C.S. OR S.S.) OR HILTI KWIK-CON II (C.S. OR S.S.).
- (2) STANDARD BENT CLIP INSTALLATION SCREWS SHALL BE POSITIONED WITHIN 1/4" OF THE BUCK/SUBSTRATE EDGE AND, IF INTO WOOD, ANGLED 20 TO 30 DEGREES INTO THE BUCK.
- (3) WHEN SCREWS ARE USED WITH THE NAIL FIN, THEY MUST BE A WAFFLE HEAD SCREW OR HAVE A FLAT WASHER AT THE SCREW HEAD.



**EXTERIOR ELEVATION: SINGLE WINDOW**  
SCALE: 3/4" = 1'-0"  
(SCREW OR CLIP MOUNT CONDITION)

**EXTERIOR ELEVATION: SINGLE WINDOW**  
SCALE: 3/4" = 1'-0"  
(NAIL FIN MOUNT CONDITION)

**ALLOWABLE DESIGN PRESSURE**

MAX. FRAME WIDTH (IN.)	MAX. FRAME HEIGHT (IN.)	ALLOWABLE PRESSURE (+/- PSF)
37	77	50
41	71	50
45	65	50
48	59	50
48	77	45
48	84	40
48	96	30

FRAME SCREWS OR INSTALLATION CLIPS WHERE SHOWN, SEE "FRAME ANCHOR REQUIREMENTS TABLE" ON THIS SHEET FOR REQUIREMENTS. NOTE: SEE "ALTERNATE 3-PIECE CLIP DETAIL" ON SHEET 3 FOR SPECIAL CONDITIONS OF 3-PIECE CLIPS.

EDGE DISTANCE MAY BE DECREASED TO 1/2" IF SCREWS ARE ANGLED 15 TO 20 DEGREES AWAY FROM THE EDGE.

NO.	REVISION DESCRIPTION	BY	DATE
A1	UPDATE TO NEW TESTING	W.W.S.	10/21/14
B1	UPDATE TO NEW TESTING	W.W.S.	02/07/23
C1	ADDED NEW INSTALL CLIP OPTION	W.W.S.	06/05/24

**DRAWING TITLE** PELLA ARCHITECT RESERVE MODEL 5 NON-IMPACT CLAD DOUBLE HUNG WINDOW

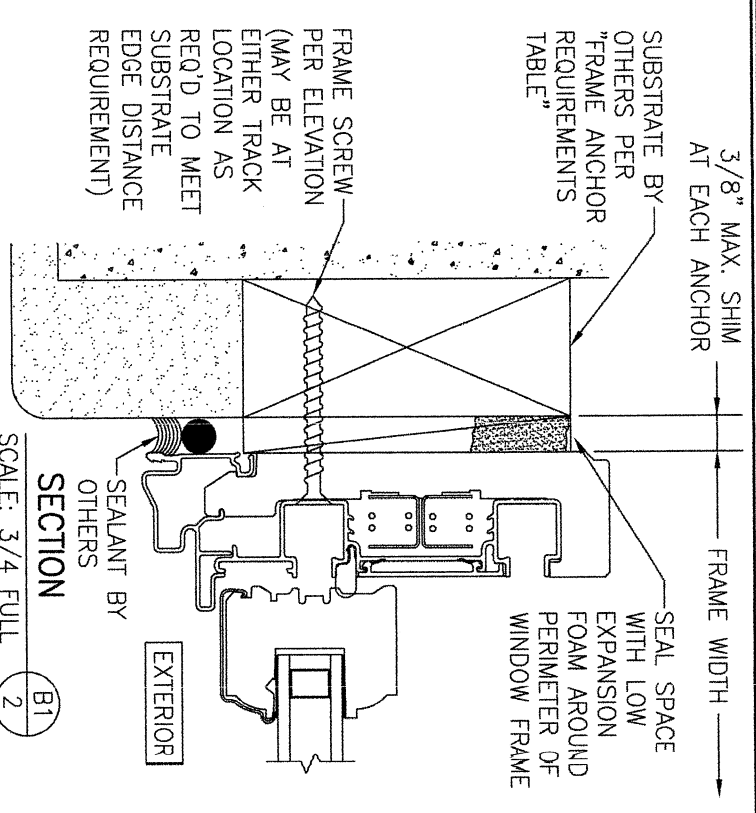
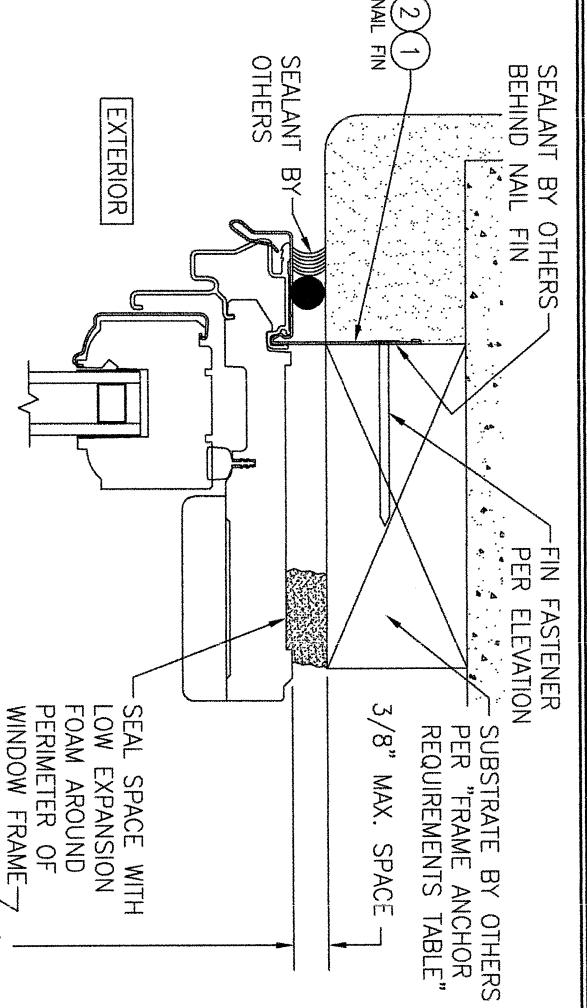
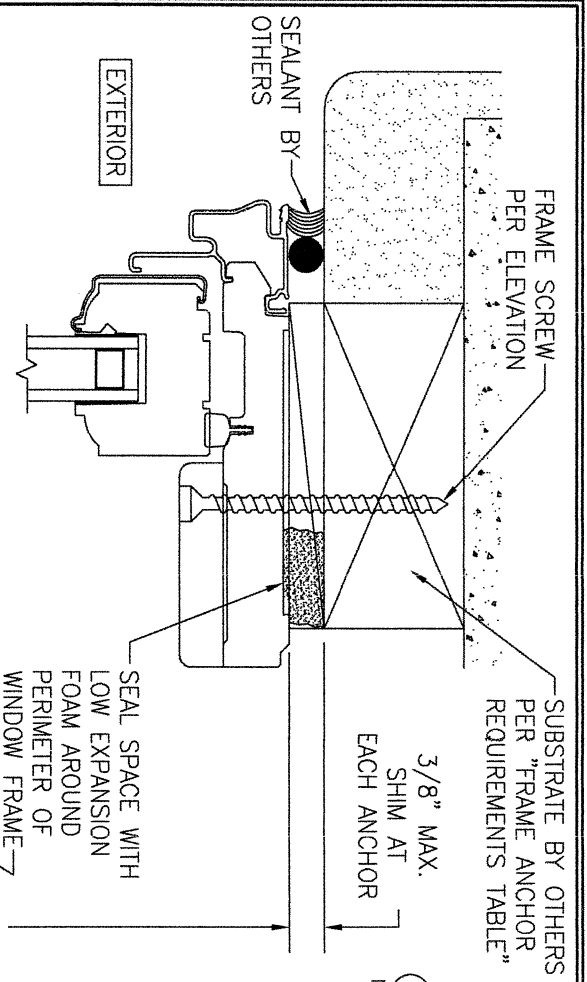
**CONSULTANTS** W. W. SCHAEFER ENGINEERING & CONSULTING, P.A.  
25601 AYSEN DRIVE  
PUNTA GORDA, FL 33983  
PHONE: 561-744-3424

**MANUFACTURER** PELLA CORPORATION  
102 MAIN STREET  
PELLA, IA 50219  
641-621-1000

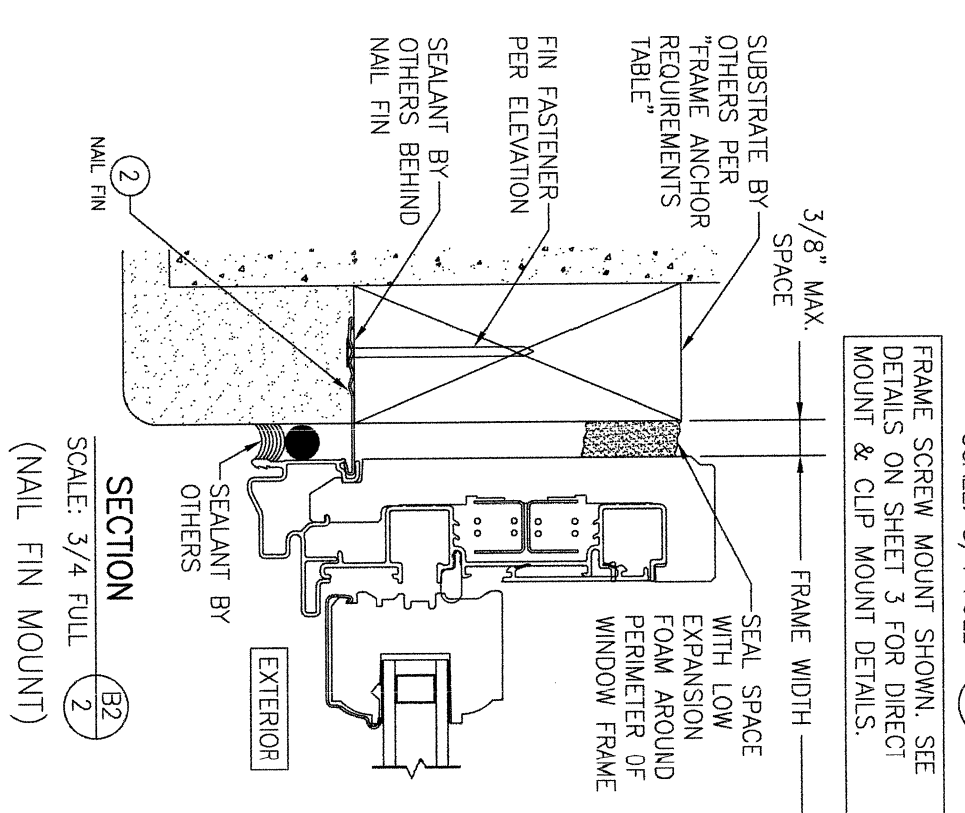
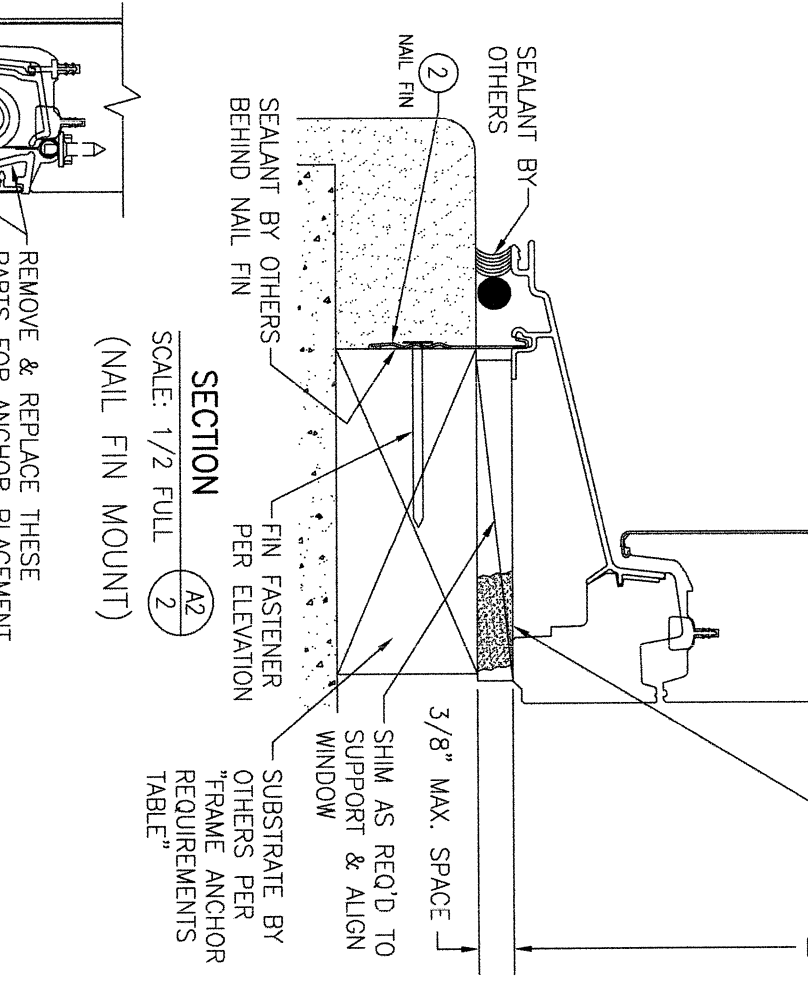
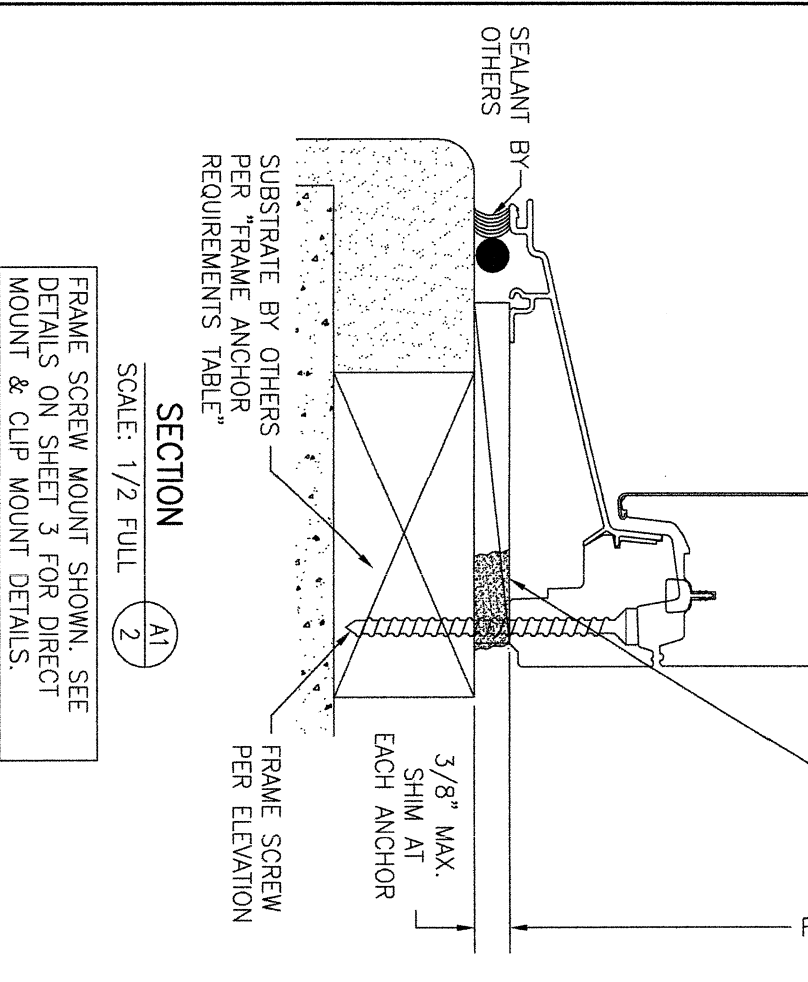
**CERTIFICATION** WARREN W. SCHAEFER, P.E.  
P.E. NO. 44135


**DRAWING NO.** 1734  
**REV.** C

**SHEET NO.** 1 OF 4



NO.	REVISION DESCRIPTION	BY	DATE
1			
2			
3			
4			

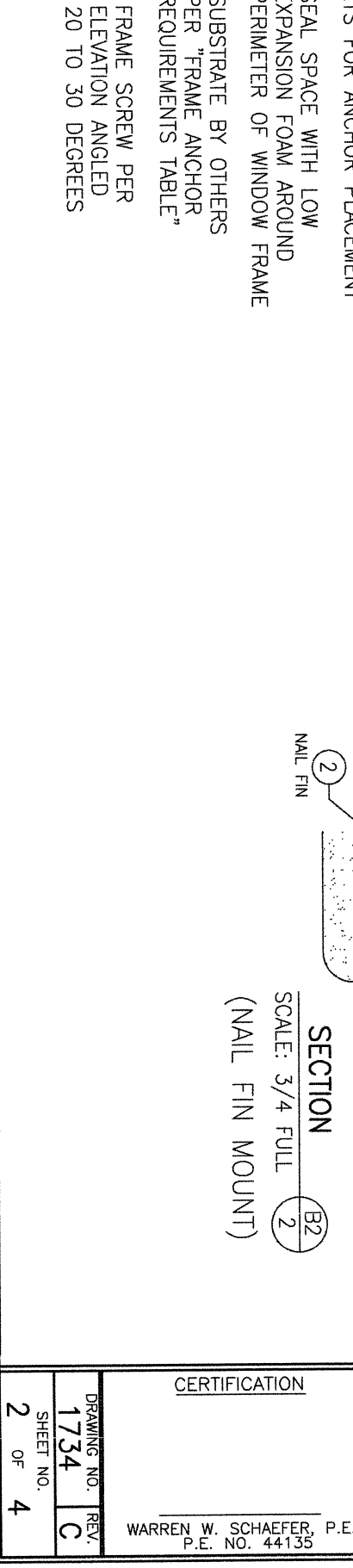
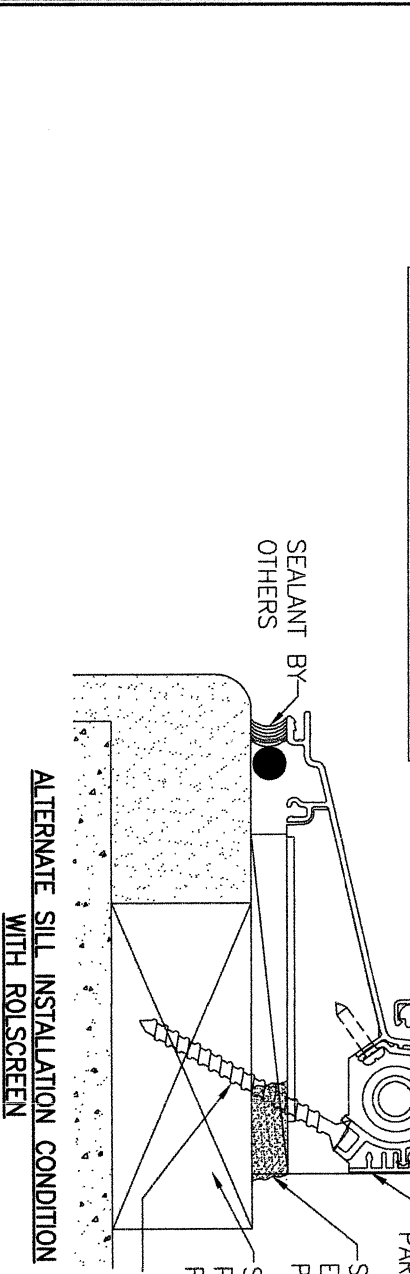


DRAWING TITLE <b>PELLA ARCHITECT RESERVE MODEL 5 NON-IMPACT CLAD DOUBLE HUNG WINDOW</b>		MANUFACTURER <b>PELLA CORPORATION</b> 102 MAIN STREET PELLA, IA 50219 641-621-1000
CONSULTANTS <b>W. W. SCHAEFER ENGINEERING &amp; CONSULTING, P.A.</b> 25601 AYSEN DRIVE PUNTA GORDA, FL 33983 PHONE: 561-744-3424		

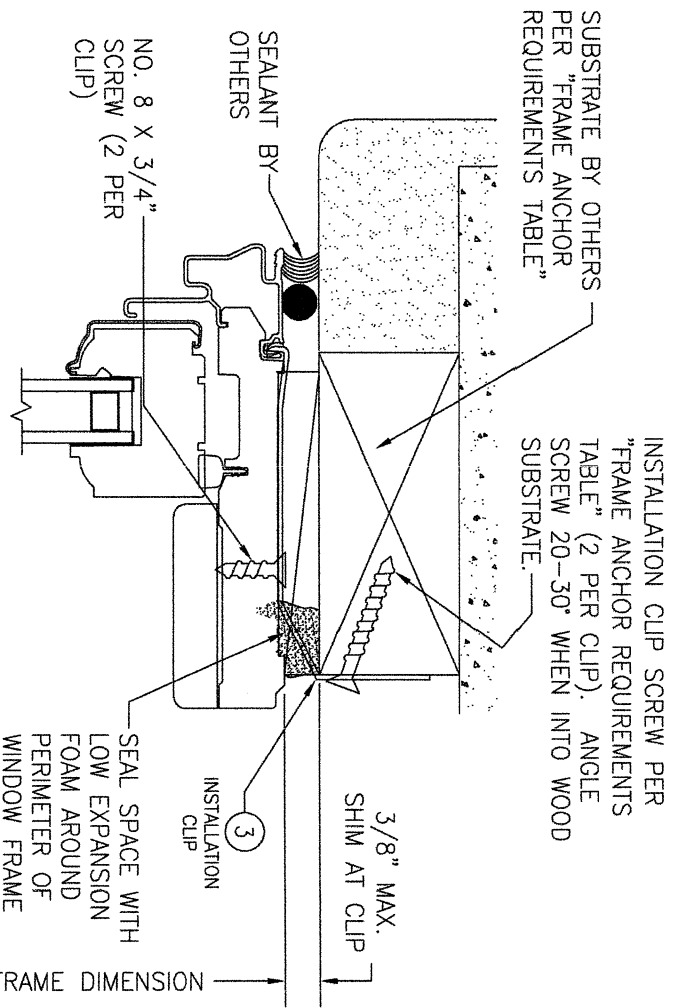
FRAME SCREW MOUNT SHOWN. SEE DETAILS ON SHEET 3 FOR DIRECT MOUNT & CLIP MOUNT DETAILS.

REMOVE & REPLACE THESE PARTS FOR ANCHOR PLACEMENT

FRAME SCREW MOUNT SHOWN. SEE DETAILS ON SHEET 3 FOR DIRECT MOUNT & CLIP MOUNT DETAILS.



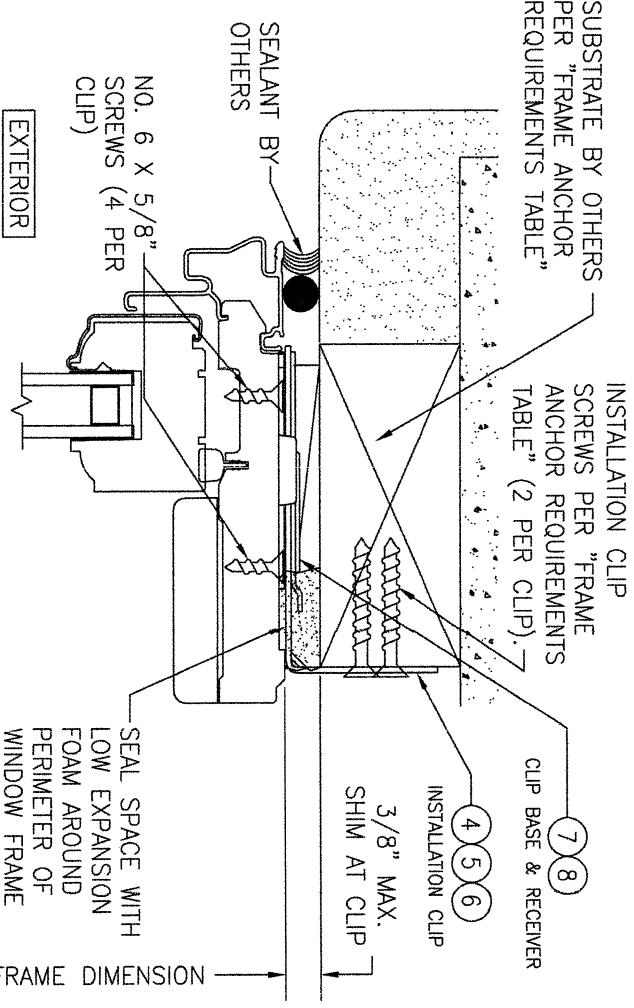
CERTIFICATION WARREN W. SCHAEFER, P.E. P.E. NO. 44135	DRAWING NO. <b>1734</b>	REV. <b>C</b>
SHEET NO. <b>2</b> OF <b>4</b>		



EXTERIOR

**STANDARD INSTALLATION CLIP DETAIL  
(BENT CLIP CONDITION)**

(HEAD SECTION SHOWN; SILL & SIDES ARE INSTALLED THE SAME)  
(FOR DETAIL NOT SHOWN, SEE OTHER SECTIONS)

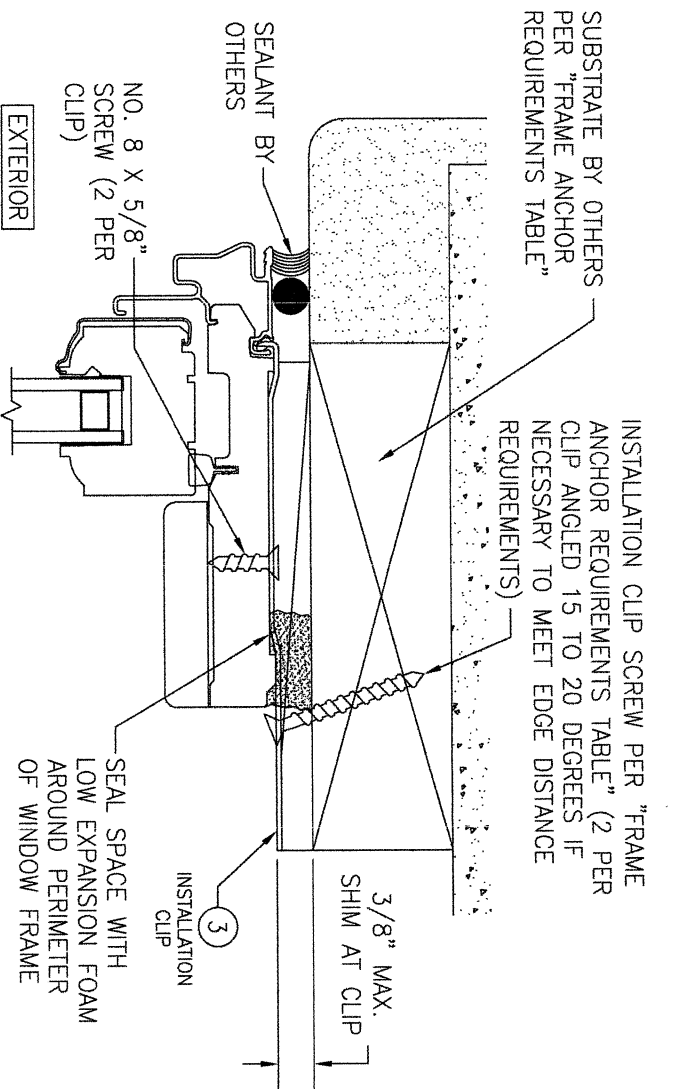


EXTERIOR

**ALTERNATE 3-PIECE INSTALLATION CLIP DETAIL**

(HEAD SECTION SHOWN; SIDES ARE INSTALLED THE SAME)  
(FOR DETAIL NOT SHOWN, SEE OTHER SECTIONS)

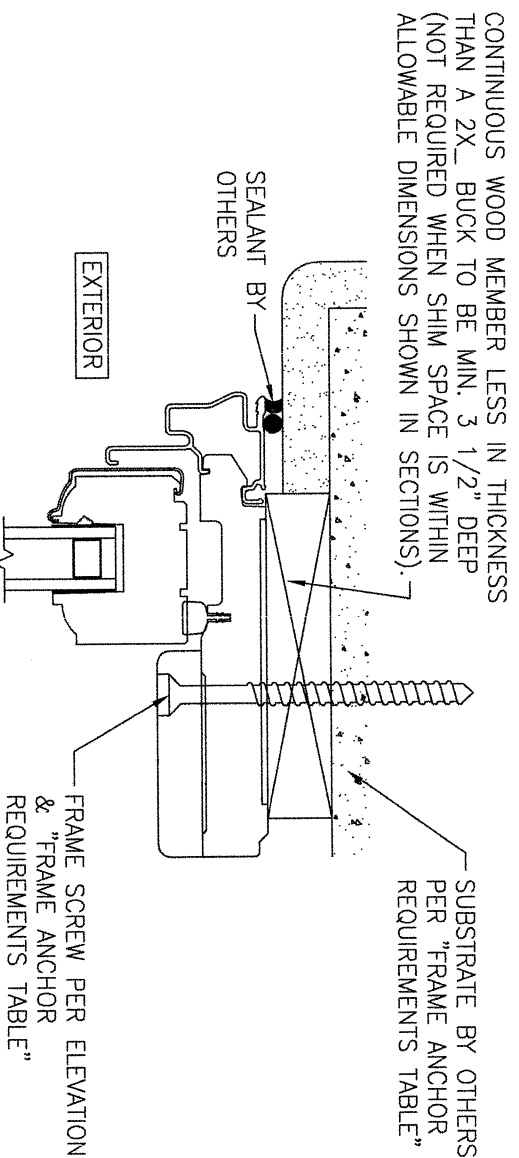
NOTE: 3-PIECE CLIPS MAY ACT AS SPOT OR FULL REPLACEMENTS OF EITHER THE FRAME SCREWS OR STRAIGHT CLIPS. THEREFORE, ANY ONE OR ALL OF THE FRAME SCREWS/CLIPS SPECIFIED IN THE ELEVATION(S) MAY BE REPLACED WITH 3-PIECE CLIPS.



EXTERIOR

**ALTERNATE INSTALLATION CLIP DETAIL  
(STRAIGHT CLIP CONDITION)**

(HEAD SECTION SHOWN; SILL & SIDES ARE INSTALLED THE SAME)  
(FOR DETAIL NOT SHOWN, SEE OTHER SECTIONS)



EXTERIOR

**OPTIONAL DIRECT MOUNT DETAIL  
TO SUBSTRATE WITH SPACER**

(HEAD SECTION SHOWN; SILL & SIDES ARE INSTALLED THE SAME)  
(FOR DETAIL NOT SHOWN, SEE OTHER SECTIONS)

CONTINUOUS WOOD MEMBER LESS IN THICKNESS THAN A 2X BUCK TO BE MIN. 3 1/2" DEEP (NOT REQUIRED WHEN SHIM SPACE IS WITHIN ALLOWABLE DIMENSIONS SHOWN IN SECTIONS)

NO.	REVISION DESCRIPTION	BY	DATE

DRAWING TITLE: **PELLA ARCHITECT RESERVE MODEL 5 NON-IMPACT CLAD DOUBLE HUNG WINDOW**

CONSULTANTS: **W. W. SCHAEFER ENGINEERING & CONSULTING, P.A.**  
25601 AYSEN DRIVE  
PUNTA GORDA, FL 33983  
PHONE: 561-744-3424

MANUFACTURER: **PELLA CORPORATION**  
102 MAIN STREET  
PELLA, IA 50219  
641-621-1000

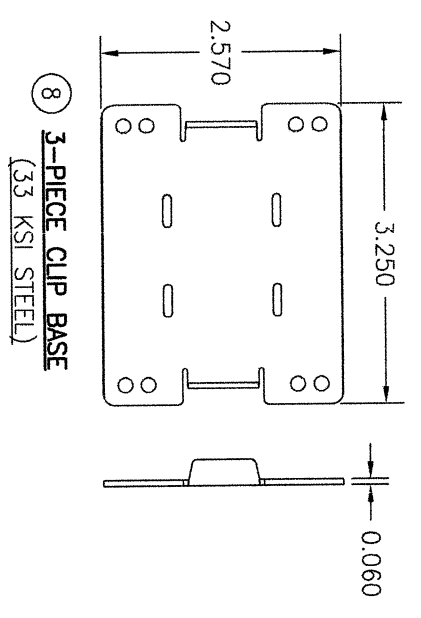
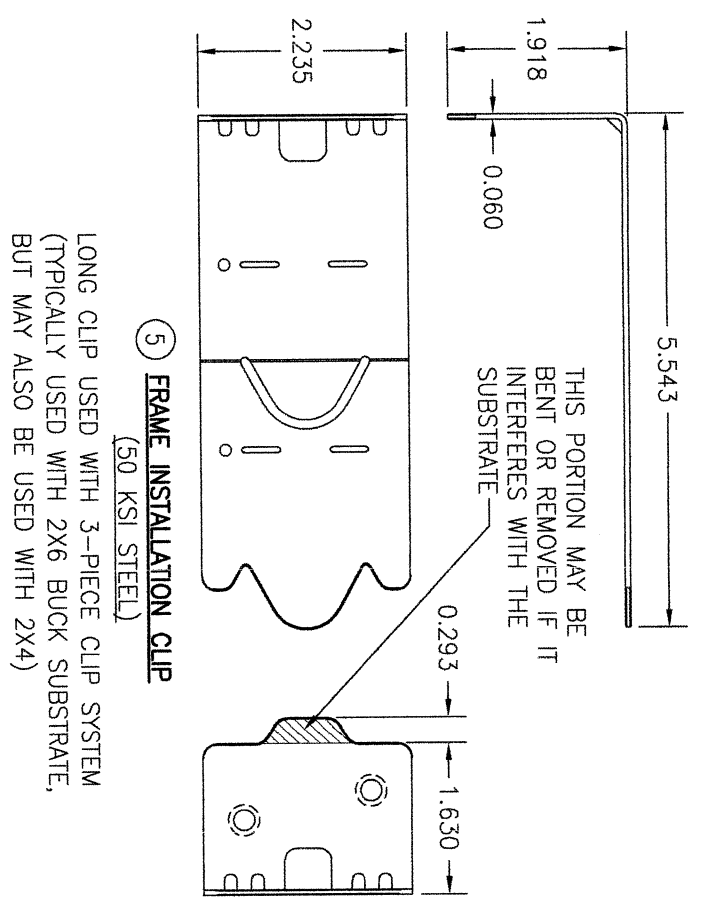
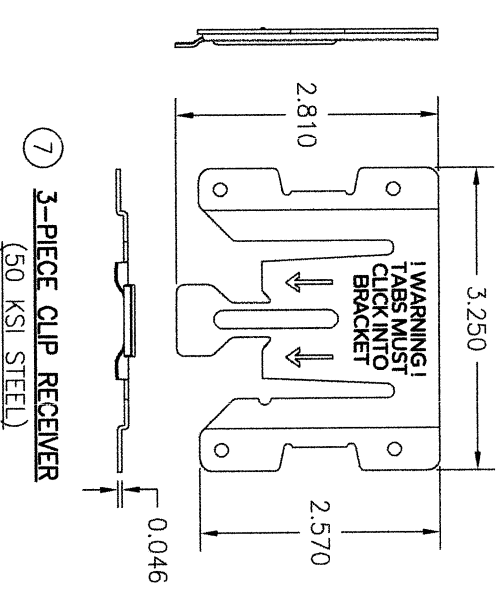
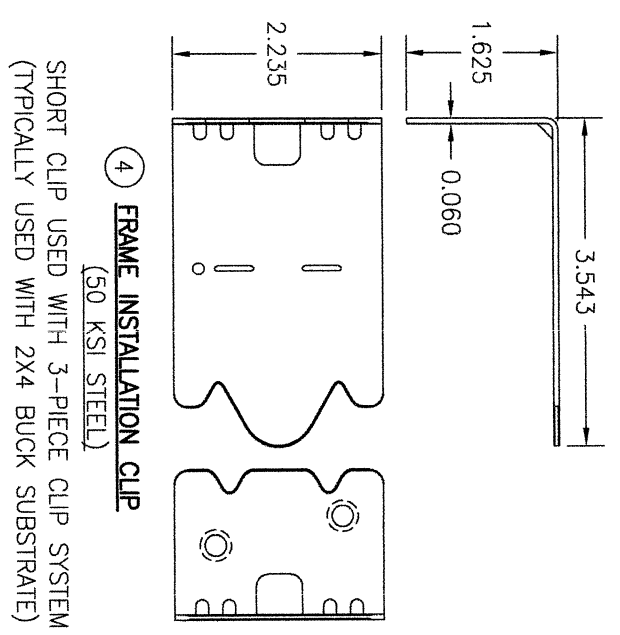
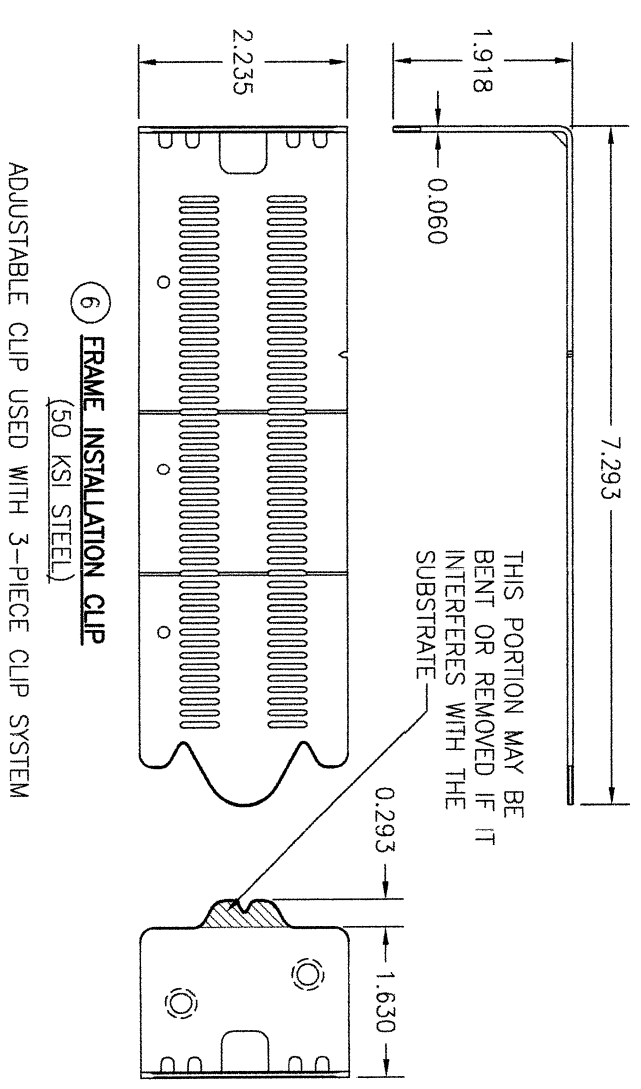
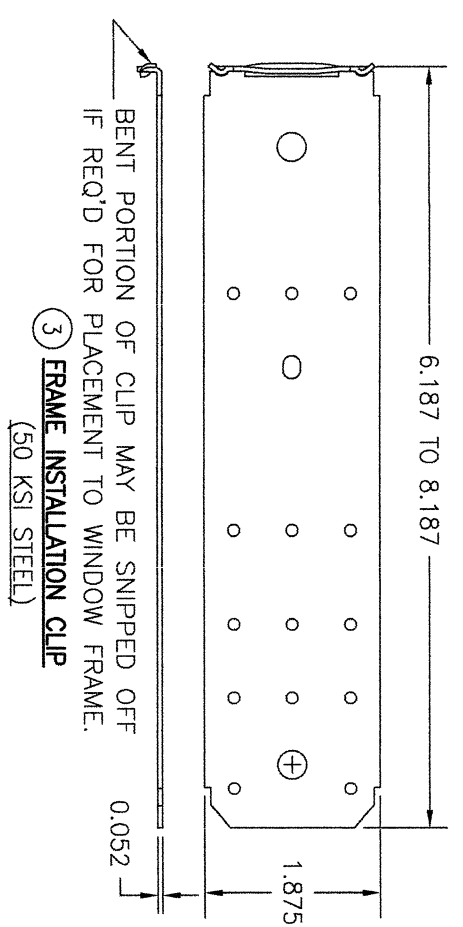
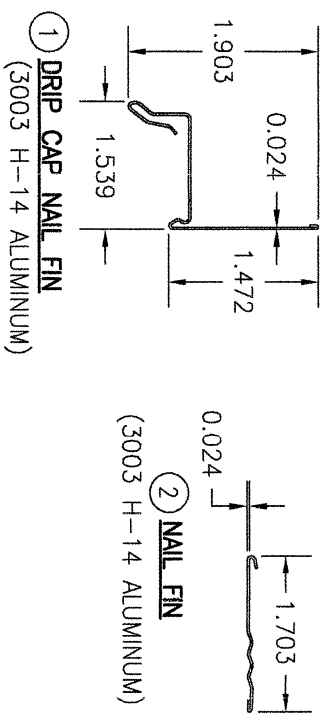
CERTIFICATION: **WARREN W. SCHAEFER, P.E.**  
P.E. NO. 44135

DRAWING NO.: **1734**

REV.: **C**

SHEET NO.: **3** OF **4**

DRAWN BY:	CHECKED BY:
W.R.M.	W.M.S.
DATE: 01/06/11	



NO.	REVISION DESCRIPTION	BY	DATE

DRAWING TITLE: PELLA ARCHITECT RESERVE MODEL 5 NON-IMPACT CLAD DOUBLE HUNG WINDOW

CONSULTANTS: W. W. SCHAEFER ENGINEERING & CONSULTING, P.A.  
25601 AYSEN DRIVE  
PUNTA GORDA, FL 33983  
PHONE: 561-744-3424

MANUFACTURER: PELLA CORPORATION  
102 MAIN STREET  
PELLA, IA 50219  
641-621-1000

CERTIFICATION: WARREN W. SCHAEFER, P.E.  
P.E. NO. 44135